

Product Description

SPECIFICATIONS

4 season manual safety pool cover

Safety standard: AFNOR NF P 90-308 décembre 2013

Dimensions Min C500M: Minimum width of 2 meters
Minimum length of 2 meters

Dimensions Max C500M: Maximum width of 6 meters
Maximum length of 16 meters

Opening time: ± 3 meters/minute

Closing time: ± 3 meters/minute



Operable by one person by ratchet (Racagnac) to place on the driving drum to open and close.



Tarpaulin : *Textile Précontraint Serge Ferrari (PVC armé)*
Belts / straps: Polyurethane with stainless steel cable
Mechanical: All the metal parts involved in the safety are in 316 stainless steel.
Rails: Anodized 6005 T6 aluminum.

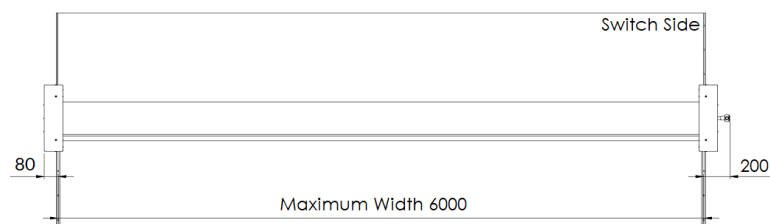
AVAILABLE COVER COLORS

Grey	Green	Blue	Blue Caribbean	Beige	Black
RAL 7037	RAL 6026	RAL 5013	RAL 5015	RAL 1015	RAL 9005

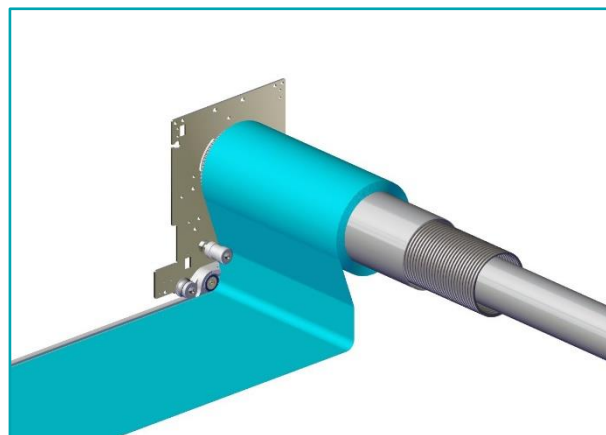
THE MECHANISM LINING (STANDARD)

Sides covers 316 brushed stainless steel.

MEASURES C500M (in mm)

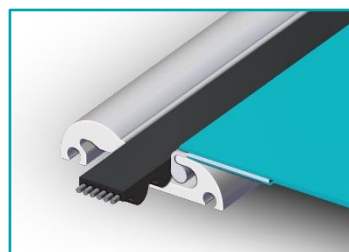


Technology protected by several patents

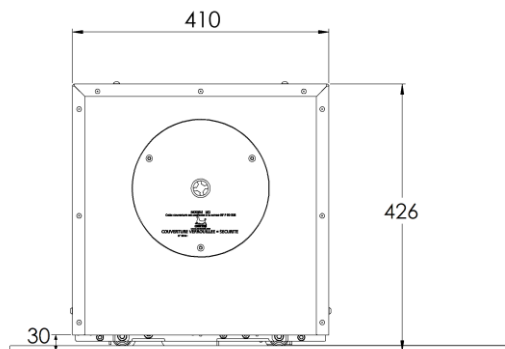
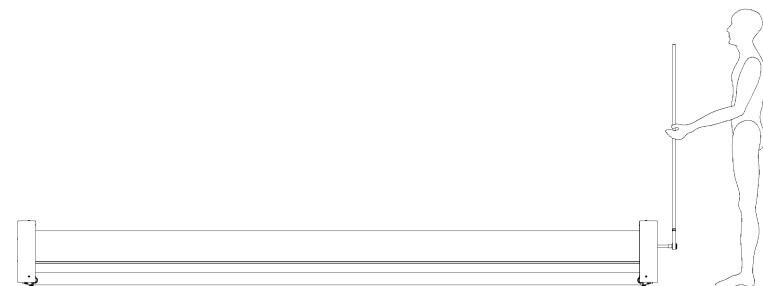
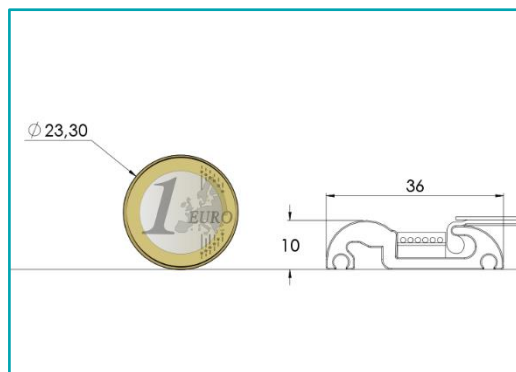


Patented Side Locking Technology

Ratchet (Racagnac)



Dimension of mini rail



Document submitted to the general conditions of sales, available on request.

WWW.COVERSEAL.COM

BECOFLEX SA Parc Industriel 17 B-1440 Wauthier-Braine Belgium info@coverseal.com

