

Product Description

SPECIFICATIONS

4 season automatic safety pool cover

Safety standard: AFNOR NF P 90-308 décembre 2013

Dimensions Min C600: Minimum width of 2 meters
Minimum length of 2 meters

Dimensions Max C600: Maximum width of 6 meters
Maximum length of 16 meters

Opening time: ± 60 sec for a length of 13 meters

Closing time: ± 60 sec for a length of 13 meters



Operable electrically by one person by means of a key operated remote control with maintained contact for opening and closing the cover.



Operable manually by ratchet (Racagnac) only in case of electrical failure.



2 x 12V 5Ah batteries connected in series to power a motor managed by 1 electronic card.



The 24V Batteries, at full load, allow ± 10 openings / closures for a cover of 13 meters length.

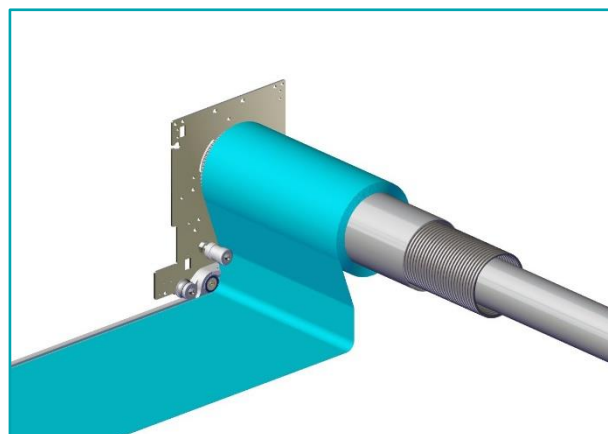


The batteries are recharged by 2 photovoltaic panels 12V / 12W / 0.78 Ah connected in series.
(Except indoor swimming pool = by sector)



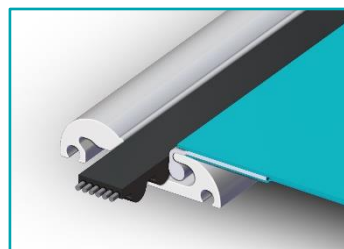
Tarpaulin : *Textile Précontraint Serge Ferrari (PVC armé)*
Belts / straps: Polyurethane with stainless steel cable
Mechanical: All the metal parts involved in the safety are in 316 stainless steel
Rails: Anodized 6005 T6 aluminum.

Technology protected by several patents



Patented Side Locking Technology

Key Remote Control



AVAILABLE COVER COLORS

Grey Green Blue Blue Caribbean Beige Black



RAL 7037



RAL 6026



RAL 5013



RAL 5015



RAL 1015

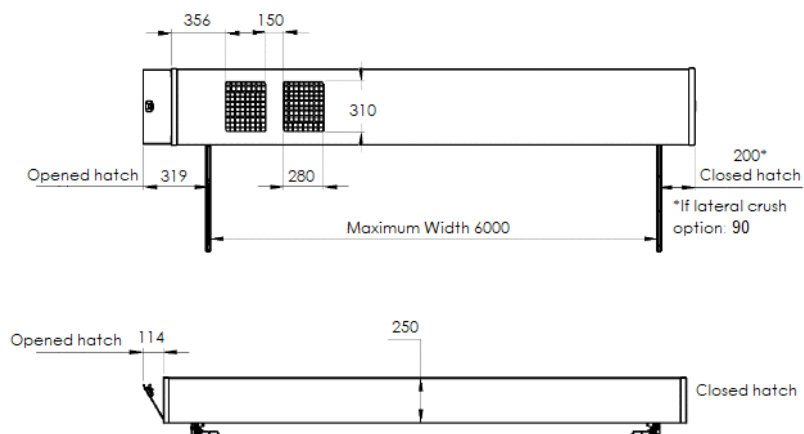


RAL 9005

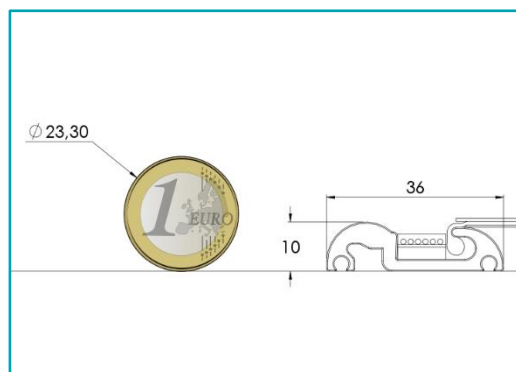
THE MECHANISM LINING (STANDARD)

Galvanized powder coated steel panel with epoxy finish.
Any RAL color paint, except fluorescent.

MEASURES C600 PAINTED LINING (in mm)



Dimension of mini rail



Document submitted to the general conditions of sales, available on request.

WWW.COVERSEAL.COM

BECOFLEX SA Parc Industriel 17 B-1440 Wauthier-Braine Belgium info@coverseal.com

