

Product Description

SPECIFICATIONS

4 season manual safety pool cover

Safety standard: AFNOR NF P 90-308 décembre 2013

Dimensions Min C700M: Minimum width of 2,5 meters
Minimum length of 2 meters

Dimensions Max C700M: Maximum width of 8,5 meters
Maximum length from 17 to 24 meters
(Depending on the width of the cover)

Opening time: ± 3 meters/minute

Closing time: ± 3 meters/minute

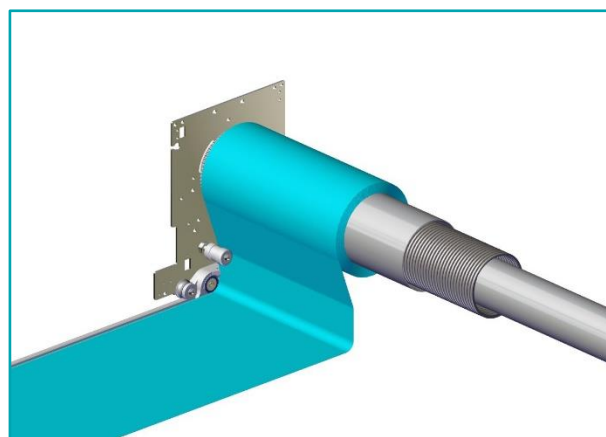


Operable by one person by ratchet (Racagnac) to place on the driving drum to open and close.



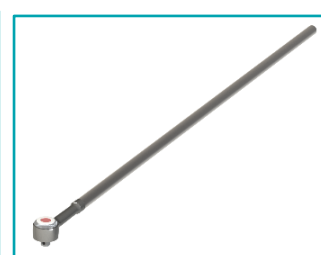
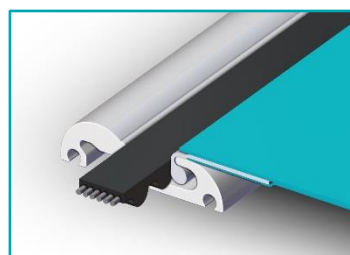
Tarpaulin : *Textile Précontraint Serge Ferrari (PVC armé)*
Belts / straps: Polyurethane with stainless steel cable
Mechanical: All the metal parts involved in the safety are in 316 stainless steel.
Rails: Anodized 6005 T6 aluminum.

Technology protected by several patents



Patented Side Locking Technology

Ratchet (Racagnac)



AVAILABLE COVER COLORS

Grey Green Blue Blue Caribbean Beige Black



RAL 7037



RAL 6026



RAL 5013



RAL 5015



RAL 1015

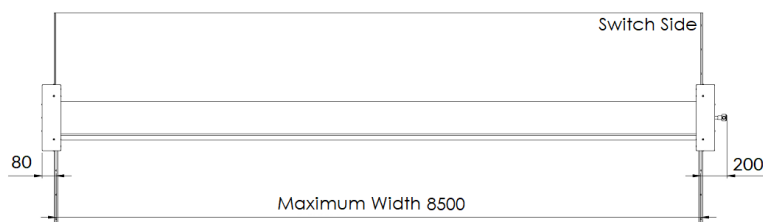


RAL 9005

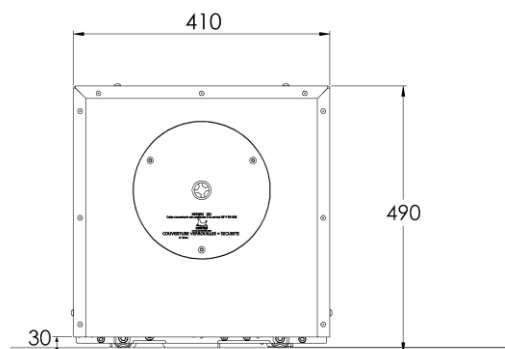
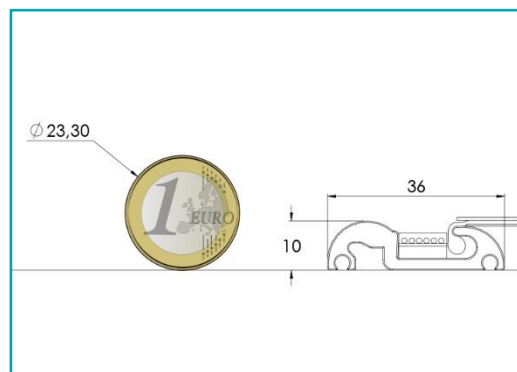
THE MECHANISM LINING (STANDARD)

Sides covers 316 brushed stainless steel.

MEASURES C700M (in mm)



Dimension of mini rail



Document submitted to the general conditions of sales, available on request.



WWW.COVERSEAL.COM

BECOFLEX SA Parc Industriel 17 B-1440 Wauthier-Braine Belgium info@coverseal.com