

## Product Description

### SPECIFICATIONS

#### 4 season automatic safety pool cover

Safety standard: AFNOR NF P 90-308 décembre 2013

Dimensions Min C850: Minimum width of 2,5 meters  
Minimum length of 2 meters

Dimensions Max C850: Maximum width of 8,5 meters  
Maximum length from 17 to 24 meters  
(Depending on the width of the cover)

Opening time: ± 60 sec for a length of 13 meters  
Closing time: ± 60 sec for a length of 13 meters



Operable electrically by one person by means of a key operated remote control with maintained contact for opening and closing the cover.



Operable manually by ratchet (Racagnac) only in case of electrical failure.



2 x 12V 5Ah batteries connected in series to power a motor managed by 2 electronic card.



The 24V Batteries, at full load, allow ± 10 openings / closures for a cover of 13 meters length.



The batteries are recharged by 2 photovoltaic panels 12V / 12W / 0.78 Ah connected in series.  
(Except indoor swimming pool = by sector)



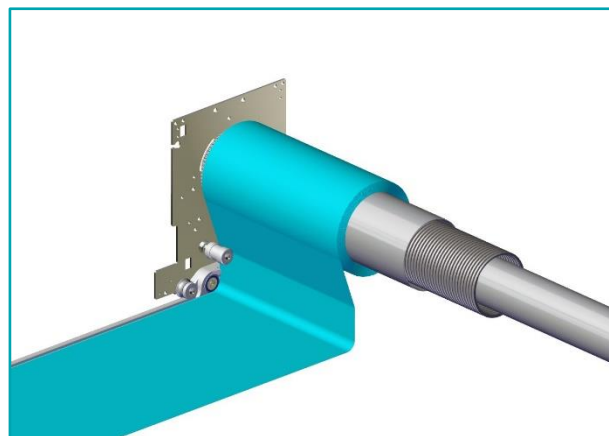
Tarpaulin : *Textile Précontraint Serge Ferrari (PVC armé)*  
Belts / straps: Polyurethane with stainless steel cable  
Mechanical: All the metal parts involved in the safety are in 316 stainless steel.

Rails: Anodized 6005 T6 aluminum.

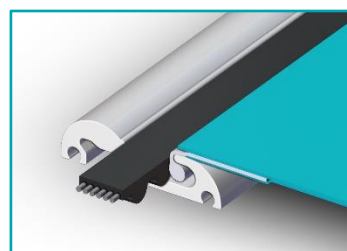


4 Electric cylinders to lift the lining.

### Technology protected by several patents



### Patented Side Locking Technology



### Key Remote Control



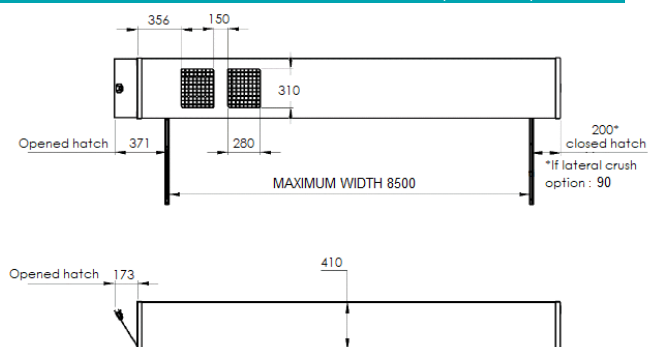
### AVAILABLE COVER COLORS

Grey	Green	Blue	Blue Caribbean	Beige	Black
RAL 7037	RAL 6026	RAL 5013	RAL 5015	RAL 1015	RAL 9005

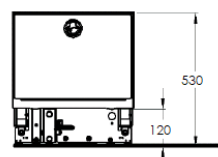
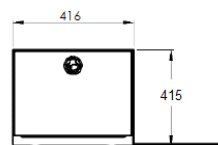
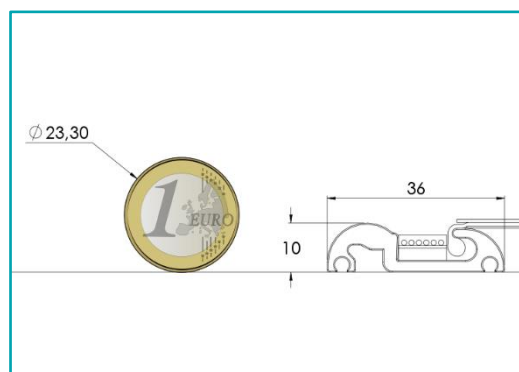
### THE MECHANISM LINING (STANDARD)

Galvanized powder coated steel panel with epoxy finish.  
Any RAL color paint, except fluorescent.

### MEASURES C850 PAINTED LINING (in mm)



### Dimension of mini rail



Document submitted to the general conditions of sales, available on request.

[WWW.COVERSEAL.COM](http://WWW.COVERSEAL.COM)

BECOFLEX SA Parc Industriel 17 B-1440 Wauthier-Braine Belgium [info@coverseal.com](mailto:info@coverseal.com)

