

ELECRO

ENGINEERING

ELECRO Flow Line (Compact)

Swimming Pool Heater
3-kW to 18-kW



Features

- Robust, durable construction
- Straight through water path
- Titanium or Incoloy 825 heating elements
- 316 Stainless Steel flow tube
- Ultra-reliable flow switch allows safe operation as low as 1000 ltr/h
- May be floor or vertically wall mounted using swivel foot
- Unipolar control thermostat 0-40°C
- Safety thermal cut out 60°C (manual reset)
- 1 1/2" BSP water connection

Construction

The ELECRO Flow-Line pool heater is manufactured from top quality components and materials at the Elecro works in Hertfordshire, England.

Construction consists of a flow tube which is fitted with Inlet and Outlet mouldings manufactured from specially formulated polymer alloy material. The outlet moulding accommodates a reversible flow switch with a gold tipped reed, and Titanium fulcrum pin.

The heater is supported on two swivel feet; these can swivel to permit either wall or floor mounting. The heater control components are positioned on the top face of the casing.

The inlet moulding has been designed to ensure full immersion of the elements, greatly reducing the risks of air locking.



Specification & Models

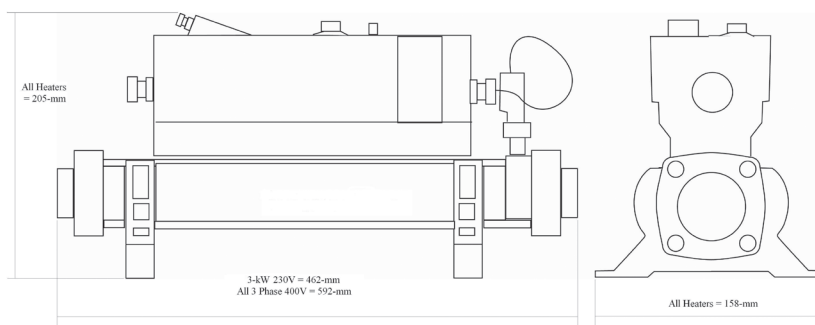
Power supply:	Single phase or three phase
Flow requirements:	Minimum flow:- 3-kw & 6-kw = 1m ³ /h Minimum flow:- 9 > 18-kw = 4m ³ /h Maximum flow = 17m ³ /h
Heating Elements:	Titanium or Incoloy 825, high MgO compaction.
Flow tubes:	BS 316 Stainless Steel
Control thermostat:	0 > 40°C (1°C differential)
Safety thermal cut out:	60°C (manual reset)
Flow switch:	Gold tipped reed switch with Titanium fulcrum pin
Seals:	Special formula high temperature polymer
Water connections:	1.5" BSP female thread
Working pressure:	4 barg maximum
Mounting:	Floor or wall mounting
Standards compliance:	European Electromagnetic Compatibility directive 89/336/EEC and 93/068/EEC
Harmonised Standards:	EN 55014 – EN55104, EN 5501, EN 5502, CEI 801-4, CEI 801-2, CEI 801-3 The European Low Voltage Directive 72/23/EEC The Harmonised Standard EN 60335-2-35

1 Phase Power Output	Load	Stainless Steel Flow Tube With Incoloy 825 Elements Product Code	Stainless Steel Flow Tube With Titanium Elements Product Code
3-kW	13-Amp	803B	8T83B
6-kW	27-Amp	806B	8T86B
9-kW	40-Amp	809B	8T89B

3 Phase Power Output	Load	Stainless Steel Flow Tube With Incoloy 825 Elements Product Code	Stainless Steel Flow Tube With Titanium Elements Product Code
6-kW	9-Amp	836B	8T36B
9-kW	13-Amp	839B	8T39B
12-kW	18-Amp	83AB	8T3AB
15-kW	22-Amp	83BB	8T3BB
18-kW	26-Amp	83CB	8T3CB

Dimensions

Flow-Line Heater Dimensions



www.elecro.co.uk

ELECRO
ENGINEERING

11 Gunnels Wood Park
Stevenage
Hertfordshire
SG1 2BH
United Kingdom
t: +44 (0) 1438 749 474
f: +44 (0) 1438 361 329
e: info@elecro.co.uk